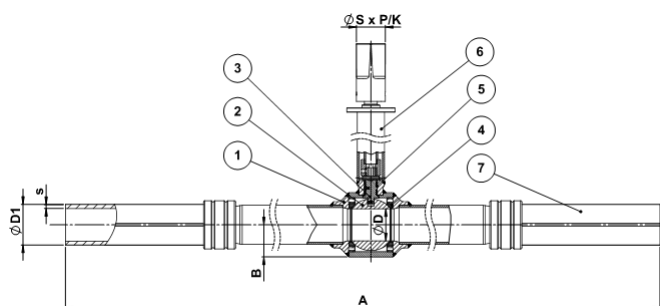
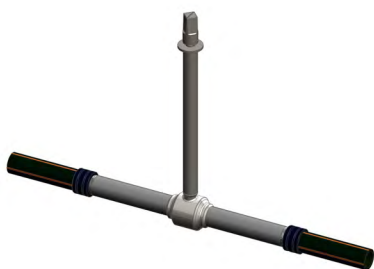


KPV-G IZ OGLJIKOVEGA JEKLA, PODZEMNA VGRADNJA, PREHODNI KOS IZ JEKLA - POLIETILEN /

KPV-G CARBON STEEL, UNDERGROUND, TRANSITIONAL PIECE STEEL - PE

// Polni pretok / Full bore



Materiali / Materials

| | | |
|---|-------------------------------------|---|
| 1 | Ohišje Body | Ogljikovo jeklo – A105, P235TR2 Carbon Steel – A105, P235TR2 |
| 2 | Krogla Ball | Nerjavno jeklo - 1.4301 (X5CrNi18-10) AISI 304 Stainless steel - 1.4301 (X5CrNi18-10) AISI 304 |
| 3 | Vreteno Stem | Nerjavno jeklo – 1.4028 (X30Cr13) AISI 420 Stainless Steel – 1.4028(X30Cr13) AISI 420 |
| 4 | Tesnilo krogle Ball seats | Teflon – PTFE |
| 5 | O-Obroč O-Ring | Viton (+60 °C) - FPM |
| 6 | Podzemni nastavak Stem extension | Ogljikovo jeklo – P235TR1, A105 Carbon steel – P235TR1, A105 |
| 7 | Prehodni kos Transitional piece | Ogljikovo jeklo / polietilen Carbon Steel / Polyethylene – PE |

Navor / Torque

| DN | Maks. navor Max torque P = 16 bar T = 20°C | Maks. navor Max torque P = 40 bar T = 20°C | Priporočljivi navor za pogon Recommendable torque for actuator |
|-----|---|---|---|
| | [Nm] | [Nm] | [Nm] |
| 25 | 15 | 20 | 30 |
| 32 | 20 | 30 | 45 |
| 40 | 25 | 40 | 60 |
| 50 | 35 | 55 | 80 |
| 65 | 45 | 80 | 120 |
| 80 | 60 | 100 | 150 |
| 100 | 90 | 150 | 200 |
| 150 | 250 | 500 | 700 |
| 200 | 400 | 700 | 1000 |

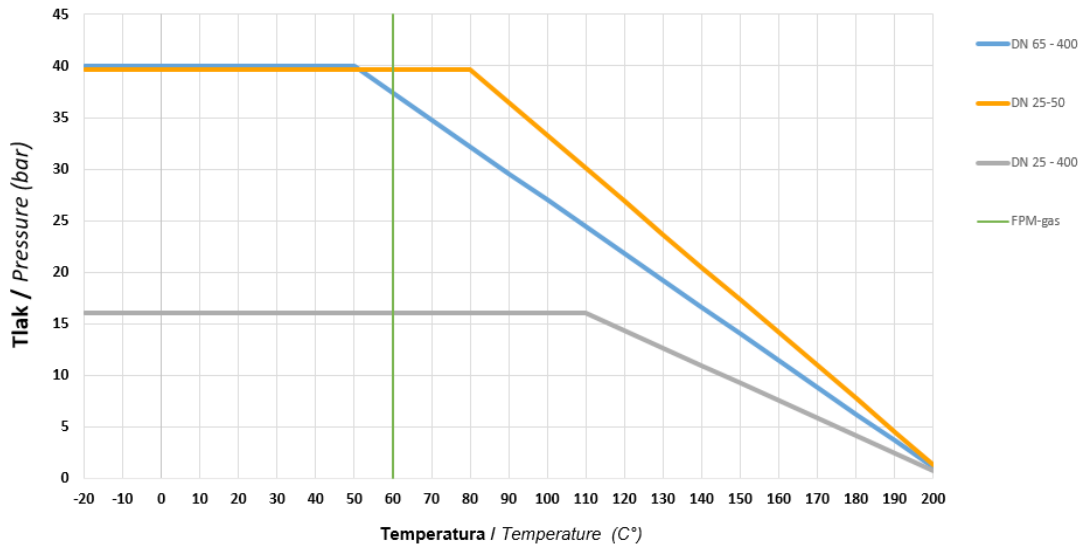
Opomba: Navori so bili izmerjeni s čisto vodo pri sobni temperaturi na ventilih s PTFE tesnili. Navor se lahko poveča pri ventilih, ki imajo tesnila iz drugačnih materialov, pri merjenju z različnimi tekočinami, višjimi temperaturami, posebnimi obratovalnimi pogoji in/ali v primeru, da je ventil dlje časa pod diferenčnim tlakom, ne da bi obratoval.

Remarks: The torques were measured on valves supplied with virgin PTFE seats, with clean water at room temperature. For valves with other seat materials, different fluids, higher temperatures, specific operating conditions and/or in case the valve is kept for a long time under differential pressure without being operated, the torque can increase.

// Delovna temperatura / Working temperature: -20 °C/+60 °C

(Za temperature nižje od -20 °C kontaktirajte proizvajalca /
For temperature below -20 °C please contact manufacturer)

Diagram tlak I temperatura / Pressure I temperature chart



Tesnila na vretenu, ohišju | Stem and body seals

FPM-gas (Max 60°C)

KPV-G DN ... PN10 DY VX PX PGO



| Art. | DN prehodni kos / DN PE connection | DN krogelne pipe / DN Ball valve | A (±20 mm) | B | ØD | ØD1 | s | Nastavek / Shaft ØSxP/K | Teža / weight [kg] |
|---------|------------------------------------|----------------------------------|------------|-----|------|-------|------|-------------------------|--------------------|
| A905305 | 32 | 25 | 1065 | 33 | 25 | 33,7 | 3,0 | 17,8x14 | 9,80 |
| A905118 | 40 | 32 | 1075 | 35 | 32 | 42,4 | 3,7 | 17,8x14 | 11,90 |
| A905119 | 50 | 40 | 1065 | 41 | 40 | 48,3 | 4,6 | 17,8x14 | 14,20 |
| A905120 | 63 | 50 | 1130 | 50 | 50 | 60,3 | 5,8 | 18x14 | 20,60 |
| A905121 | 75 | 65 | 1165 | 65 | 63,5 | 76,1 | 6,8 | 23,8x19 | 27,60 |
| A905122 | 90 | 80 | 1180 | 75 | 78 | 88,9 | 8,2 | 23,8x19 | 35,40 |
| A905123 | 110 | 100 | 1210 | 93 | 99 | 114,3 | 10,0 | 23,8x19 | 53,00 |
| A905419 | 160 | 150 | 1580 | 135 | 149 | 168,3 | 14,6 | K30 | 114,40 |
| A905487 | 225 | 200 | 1668 | 176 | 200 | 219,1 | 20,5 | K30 | 178,20 |

Uležajena krogla | Trunnion mounted ball

Opombe

Antistatična izvedba in požarno tesnilo.
DN50 do DN200 z vzmetenimi tesnili.
Nadgradnje na strani 87 - 94.

Notes

Antistatic and Fire Safe Design.
DN50 to DN200 with spring-loaded washers.
Upgrades on pages 87 - 94.



Na zahtevo stranke je možna izdelava krogelne pipe, primerne za uporabo do 20% vodika.
Ball valve suitable for up to 20% Hydrogen Application available on request.